

# STATIC SEPARATOR

## Technical data sheet



## Description

The ERIMAKI static separator is ideal to separate solids from the liquid fraction in waste water of any type.

The static separator doesn't use any motor, therefore it doesn't require an electrical system and can be used anywhere. It is a simple instrument, low-cost but highly efficient, which can run for a long time without supervision and without getting clogged.

The screening element is a grid consisting of triangle-shaped horizontal bars creating a special effect called "wall adherence". This separates liquid materials from the solid ones, which flow downward driven by kinetic energy.

Bar spacing may range between 0.25 and 3 mm, depending on the material to be separated. As the production rate of the static separator depends on multiple factors, like product separability, viscosity, temperature, the amount of solid materials to be separated and the mesh in use, it may vary, ranging between 50 cu m/h and 140 cu m/h, according to the field of application and in the presence of no more than 10% of solid materials in the liquid fraction.

The static separator is always entirely made of AISI 304 stainless steel and is available in two models, 600 mm and 1200 mm wide.

# STATIC SEPARATOR

## Technical data sheet

### Fields of application

- Breeding farms
- Meat processing industries
- Vegetable processing industries
- Fish processing industries
- Food processing industries in general
- Textile industries
- Chemical industries
- Recycling industries
- Incinerators
- Labelled bottles
- Paper mills
- Water treatment

### Drawing

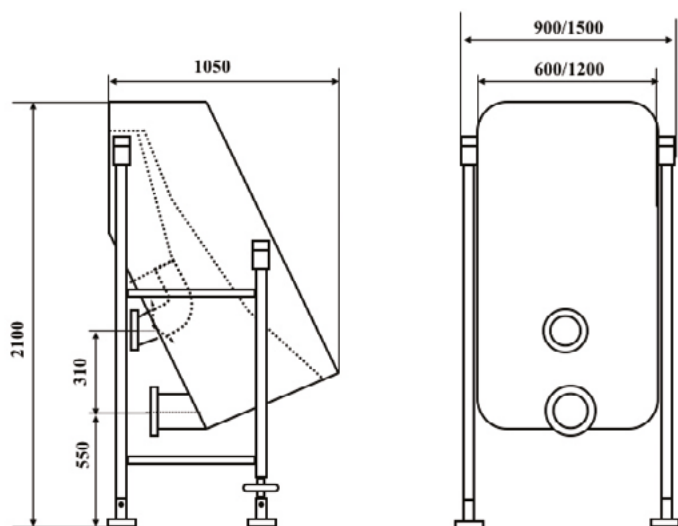


Table with dimensions

Table with dimensions	
A	1050 mm
B	600/1200 mm
C	900/1500 mm
D	2100 mm
E	550 mm
F	310 mm